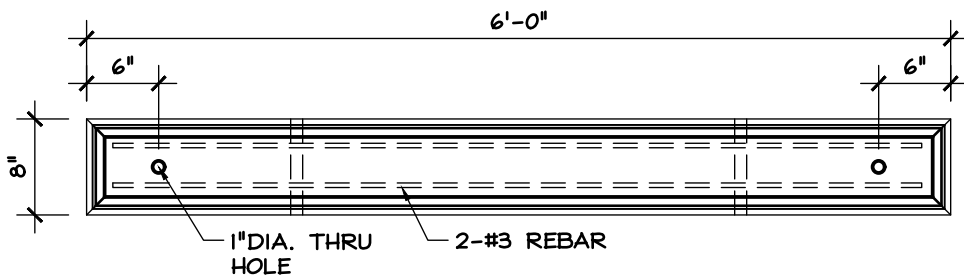
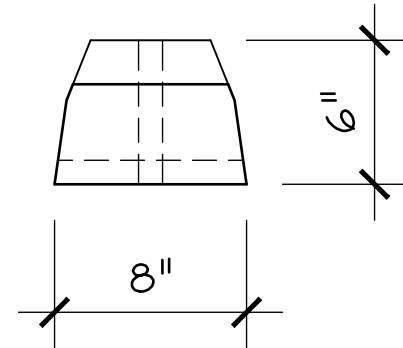


ELEVATION

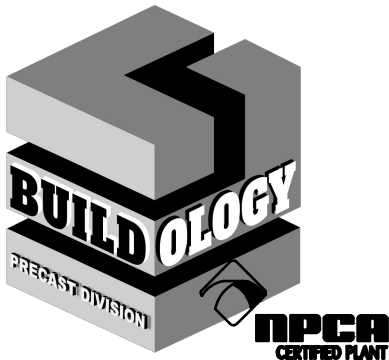


PLAN



SECTION

SCALE: 1 1/2"=1'-0"



SHEET NOTES:

1. CONCRETE SPECIFICATIONS
 - 1.1. 4000 PSI COMPRESSIVE STRENGTH @ 28 DAYS
 - 1.2. 5%-8% ENTRAINED AIR
 - 1.3. POLYPROPYLENE FIBER
2. REINFORCING SPECIFICATIONS
 - 2.1. REBAR TO MEET ASTM A615, GRADE 60
 - 2.2. WELDED WIRE MESH TO MEET ASTM A1064
3. COLOR AND FINISH
 - 3.1. COLOR: GREY
 - 3.2. FINISH: AS CAST
 - 3.3. SEALER: VOCOMP 20

PB6 MATERIAL LIST:

1. 0.058 CU. YD CONCRETE
 - 1.1. APPROX. 230 LBS
2. (2) #3 X 5'-8" REBAR
3. (2) #5 X 12" REBAR PIN
 - 3.1. INCLUDED.

SHEET TITLE: DIMENSION DETAIL

PRODUCT: 6' PARKING BUMPER

LOCATION:

CONTRACTOR:

ARCHITECT:

DATE:

SCALE: 3/4"=1'-0"

SHEET NO.: 1.0