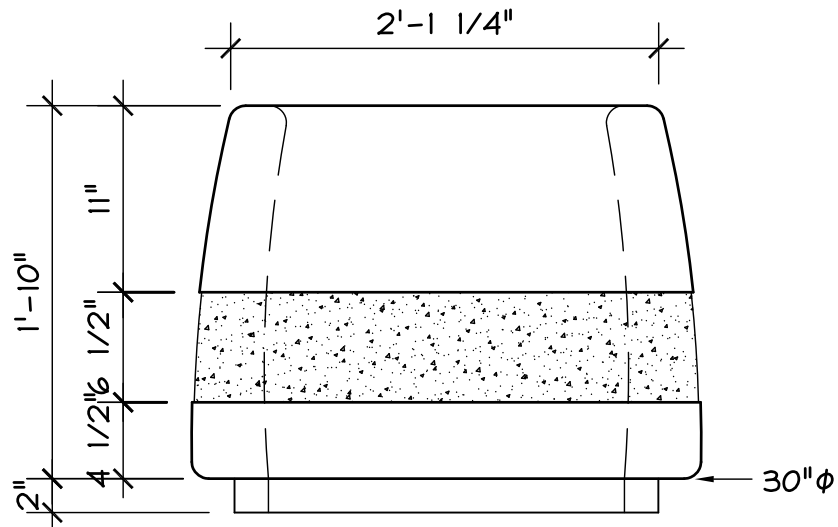
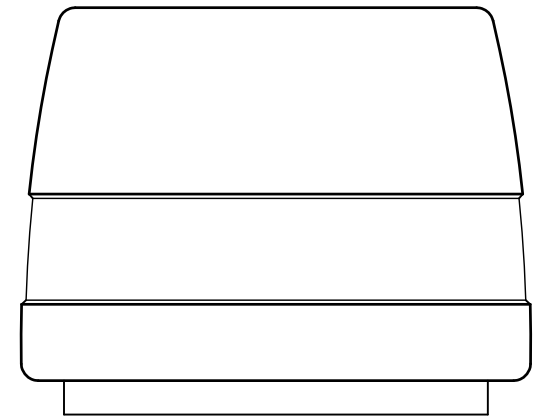


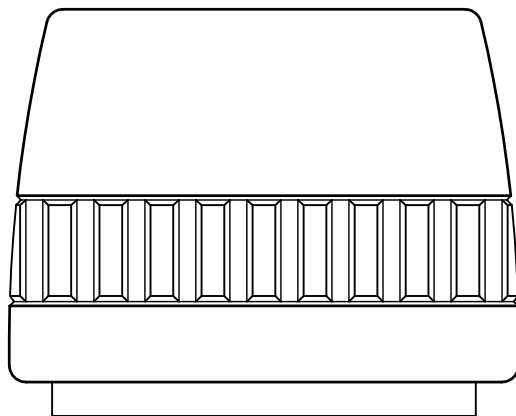
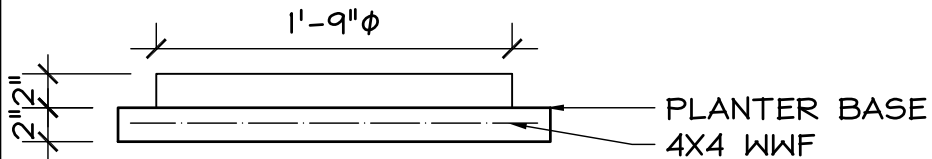
TOP VIEW



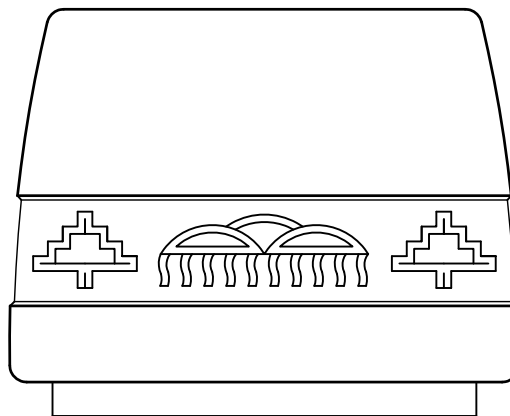
EXPOSED AGGREGATE BAND



RECESSED BAND



FLUTED BAND



SOUTHWEST BAND

.17 CY CONCRETE  
WEIGHT: 675#

**CONCRETE SPECIFICATIONS**  
 4000 f'c 28-DAY COMPRESSIVE STRENGTH  
 4-7% ENTRAINED AIR  
 MILD STEEL REINFORCING AS REQUIRED  
 POLYPROPYLENE FIBER SECONDARY REINFORCING  
**FORMS**  
 SMOOTH SURFACE FIBERGLASS  
**COLORS**  
 GREY OR INTEGRAL COLOR (COHILLS COLOR PIGMENTS AVAILABLE)  
**STANDARD FINISH**  
 SMOOTH  
 COLORED CONCRETE: COLOR SEAL  
 CLEAR SEALER

SIERRA  
PLANTER

PL-2430

ARCHITECTURAL PRECAST CONCRETE  
**MATERIALS, INC.**