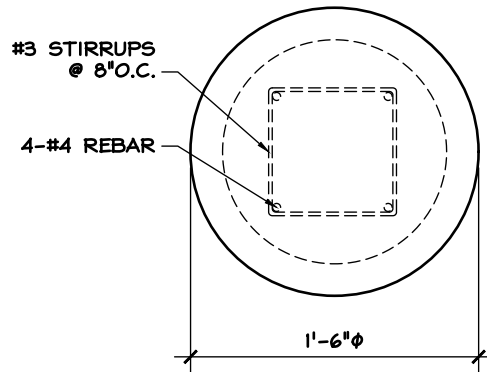
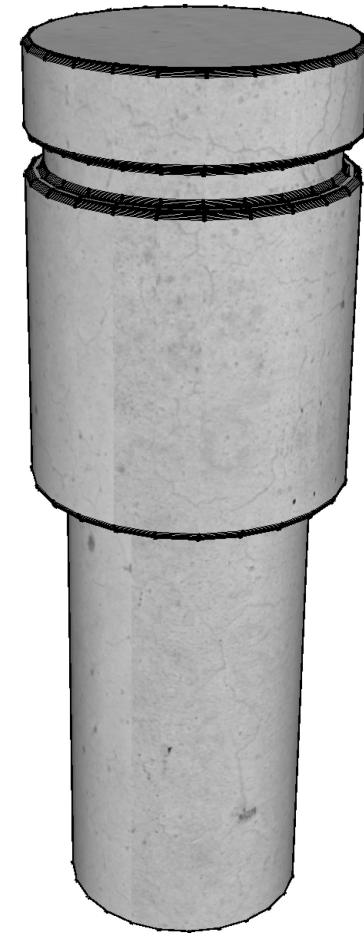


ELEVATION



PLAN



3D ISOMETRIC

SHEET NOTES:

1. **CONCRETE SPECIFICATIONS**
 - 1.1. 5000 PSI COMPRESSIVE STRENGTH @ 28 DAYS
 - 1.2. 5%-8% ENTRAINED AIR
 - 1.3. POLYPROPYLENE FIBER
2. **REINFORCING SPECIFICATIONS**
 - 2.1. REBAR TO MEET ASTM A615, GRADE 60
 - 2.2. WELDED WIRE MESH TO MEET ASTM A1064
3. **COLOR AND FINISH OPTIONS**
 - 3.1. GREY, WHITE, VARIOUS COHILLS COLORS
 - 3.2. SMOOTH, ACID WASH, EXPOSED AGG
 - 3.3. SEALER: VOCOMP 20

BL1852 MATERIAL LIST:

1. 0.232 CU.YD. CONCRETE
 - 1.1. APPROX. 905 LBS
2. (4) #4 X 4'-2"
3. (7) #3 STIRRUPS
4. FIBER REINFORCING

SHEET TITLE: DIMENSION DETAIL

PRODUCT: 18" DIA X 52" BOLLARD

LOCATION:

CONTRACTOR:

ARCHITECT:

DATE:

SCALE: 1"=1'-0"

SHEET NO.: 1.0

