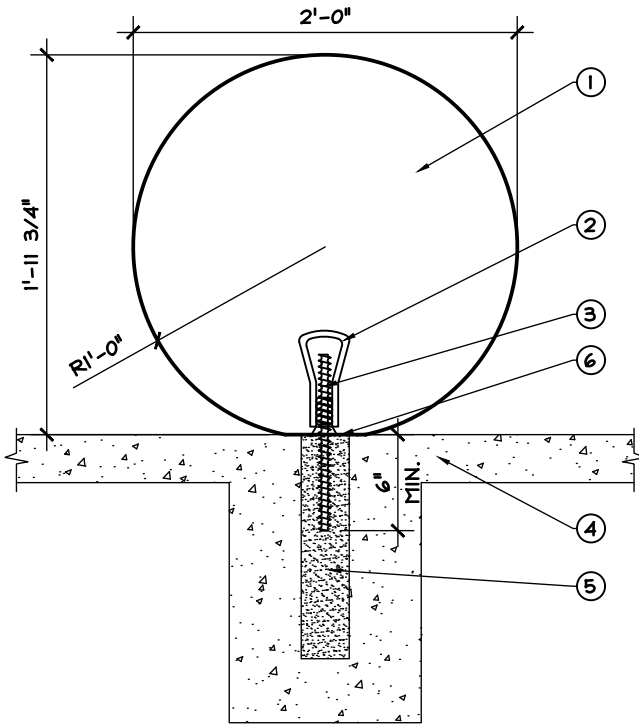
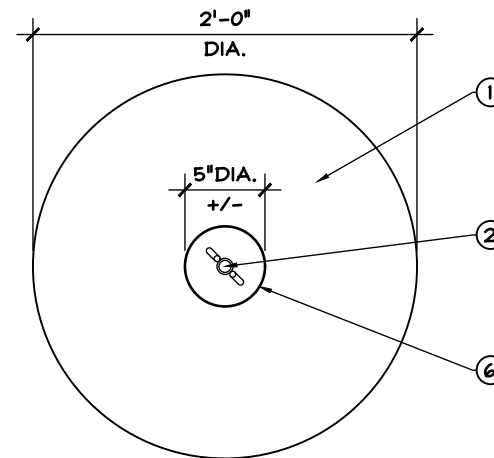


KEYED NOTES:

1. FIBER REINFORCED CONCRETE
2. 3/4"Ø X 6" MEADOW BURKE CX-4 COIL LOOP INSERT- RECESS PER MANUFACTURERS REQUIREMENTS.- CENTERED IN FLAT SPOT
3. 3/4"Ø X 11" COIL ROD- PROVIDED BY MATERIALS, INC.
 - 3.1. THREAD INTO BOLLARD UNTIL ROD STOPS.
 - 3.2. EMBED MIN. 6" INTO C.I.P
4. C.I.P. CONCRETE- BY OTHERS
5. DRILL 3" DIA. X MIN. 8" INTO C.I.P CONCRETE. FILL WITH NON-SHRINK GROUT PRIOR TO SETTING BOLLARD- BY OTHERS
6. 5" +/- FLAT SPOT



ELEVATION



PLAN

SHEET NOTES:

1. CONCRETE SPECIFICATIONS
 - 1.1. 5000 PSI COMPRESSIVE STRENGTH @ 28 DAYS
 - 1.2. 5%-8% ENTRAINED AIR
 - 1.3. POLYPROPYLENE FIBER
2. REINFORCING SPECIFICATIONS
 - 2.1. REBAR TO MEET ASTM A615, GRADE 60
 - 2.2. WELDED WIRE MESH TO MEET ASTM A1064
3. COLOR AND FINISH OPTIONS
 - 3.1. GREY, WHITE, VARIOUS COHILLS COLORS
 - 3.2. SMOOTH, ACID WASH, EXPOSED AGG
 - 3.3. SEALER: VOCOMP 20

BL24SPH MATERIAL LIST:

1. 0.155 CU.YD. CONCRETE
 - 1.1. APPROX. 630 LBS
2. (1) 3/4"Ø X 6" MEADOW BURKE CX-4 COIL LOOP INSERT
3. (1) 3/4" Ø X 11" COIL ROD.
4. FIBER REINFORCING

SHEET TITLE: DIMENSION DETAIL

PRODUCT: 24" SPHERE BOLLARD

LOCATION:

CONTRACTOR:

ARCHITECT:

DATE:

SCALE: 1"=1'-0"

SHEET NO.: 1.0

