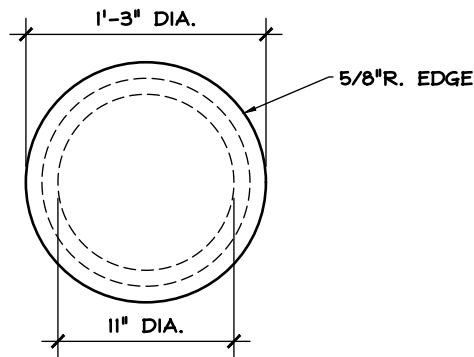


ELEVATION



PLAN



3D ISOMETRIC

SHEET NOTES:

1. CONCRETE SPECIFICATIONS
 - 1.1. 5000 PSI COMPRESSIVE STRENGTH @ 28 DAYS
 - 1.2. 5%-8% ENTRAINED AIR
 - 1.3. POLYPROPYLENE FIBER
2. REINFORCING SPECIFICATIONS
 - 2.1. REBAR TO MEET ASTM A615, GRADE 60
 - 2.2. WELDED WIRE MESH TO MEET ASTM A1064
3. COLOR AND FINISH OPTIONS
 - 3.1. GREY, WHITE, VARIOUS COHILLS COLORS
 - 3.2. SMOOTH, ACID WASH, EXPOSED AGG
 - 3.3. SEALER: VOCOMP 20

BLJEMEZ15 MATERIAL LIST:

1. 0.140 CU.YD. CONCRETE
 - 1.1. APPROX. 610 LBS
2. (4) #3 X 3'-3"
3. (2) #3 DOWELS (UPON REQUEST)
4. 2- 1/2" DIA. LIFTING INSERTS
5. FIBER REINFORCING

SHEET TITLE: DIMENSION DETAIL
PRODUCT: 15" DIA. JEMEZ BOLLARD
LOCATION:
CONTRACTOR:
ARCHITECT:
DATE:
SCALE: 1"=1'-0"
SHEET NO.: 1.0

