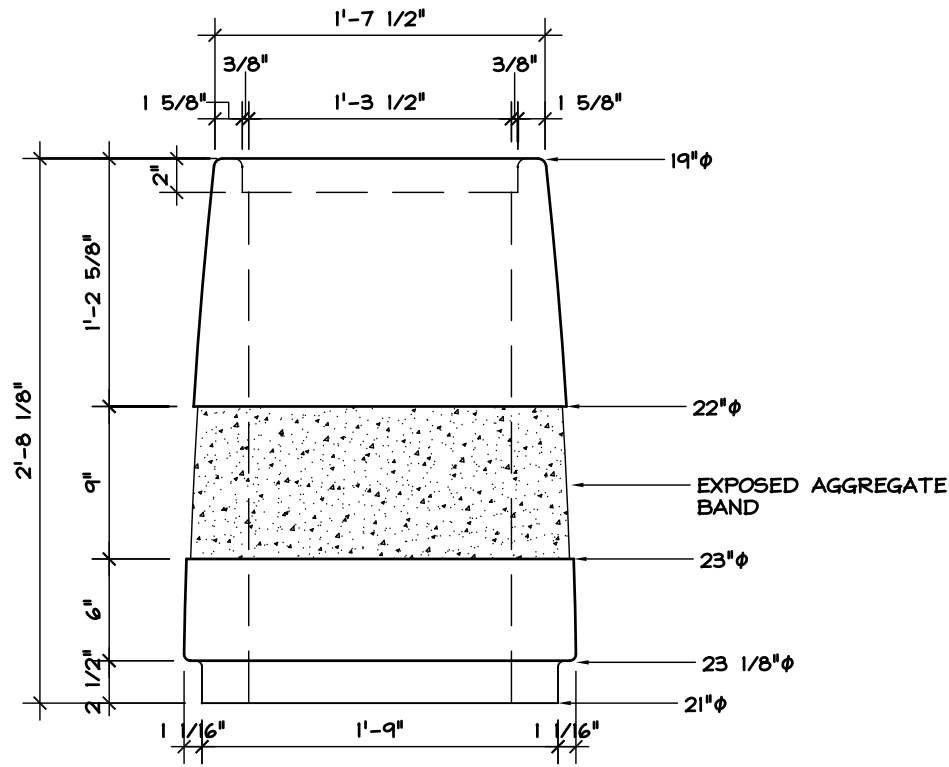
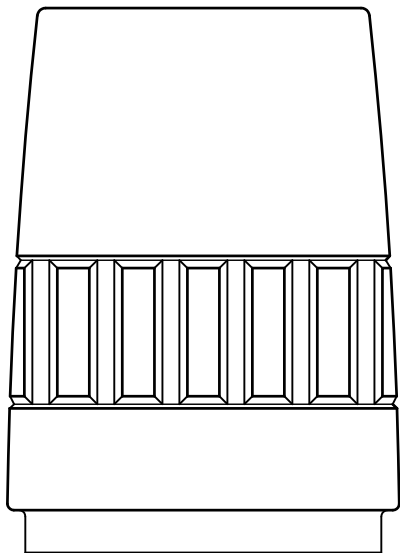


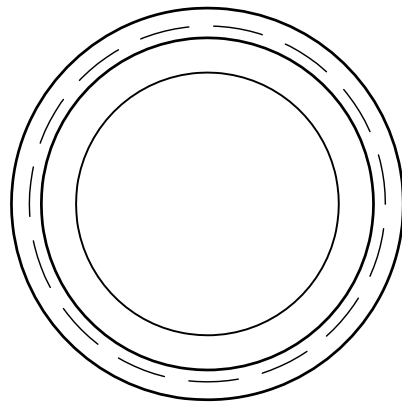
RECESSED  
BAND



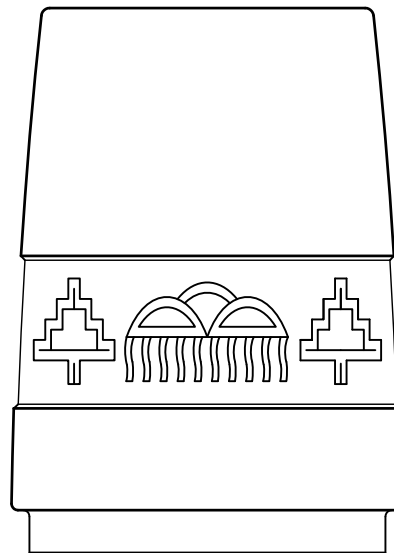
PLASTIC LINER INCLUDED



FLUTED  
BAND



TOP  
VIEW



SOUTHWEST  
BAND

WEIGHT: 540#

**CONCRETE SPECIFICATIONS**

4000 f'c 28-DAY COMPRESSIVE STRENGTH  
4-7% ENTRAINED AIR  
POLYPROPYLENE FIBER REINFORCING

**FORMS**

SMOOTH SURFACE FIBERGLASS

**COLORS**

GREY, OR INTEGRAL COLOR (COHILLS COLOR  
PIGMENTS AVAILABLE)

**STANDARD FINISH**

SMOOTH  
COLORED CONCRETE: COLOR SEAL  
CLEAR SEALER

SIERRA  
LITTER RECEPTACLE

TR-3223

ARCHITECTURAL PRECAST CONCRETE  
**MATERIALS, INC.**