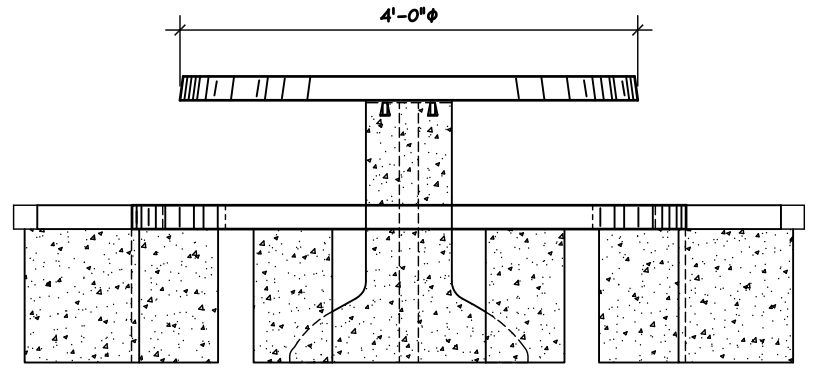


WEIGHT: 1420 #

**CONCRETE SPECIFICATIONS**

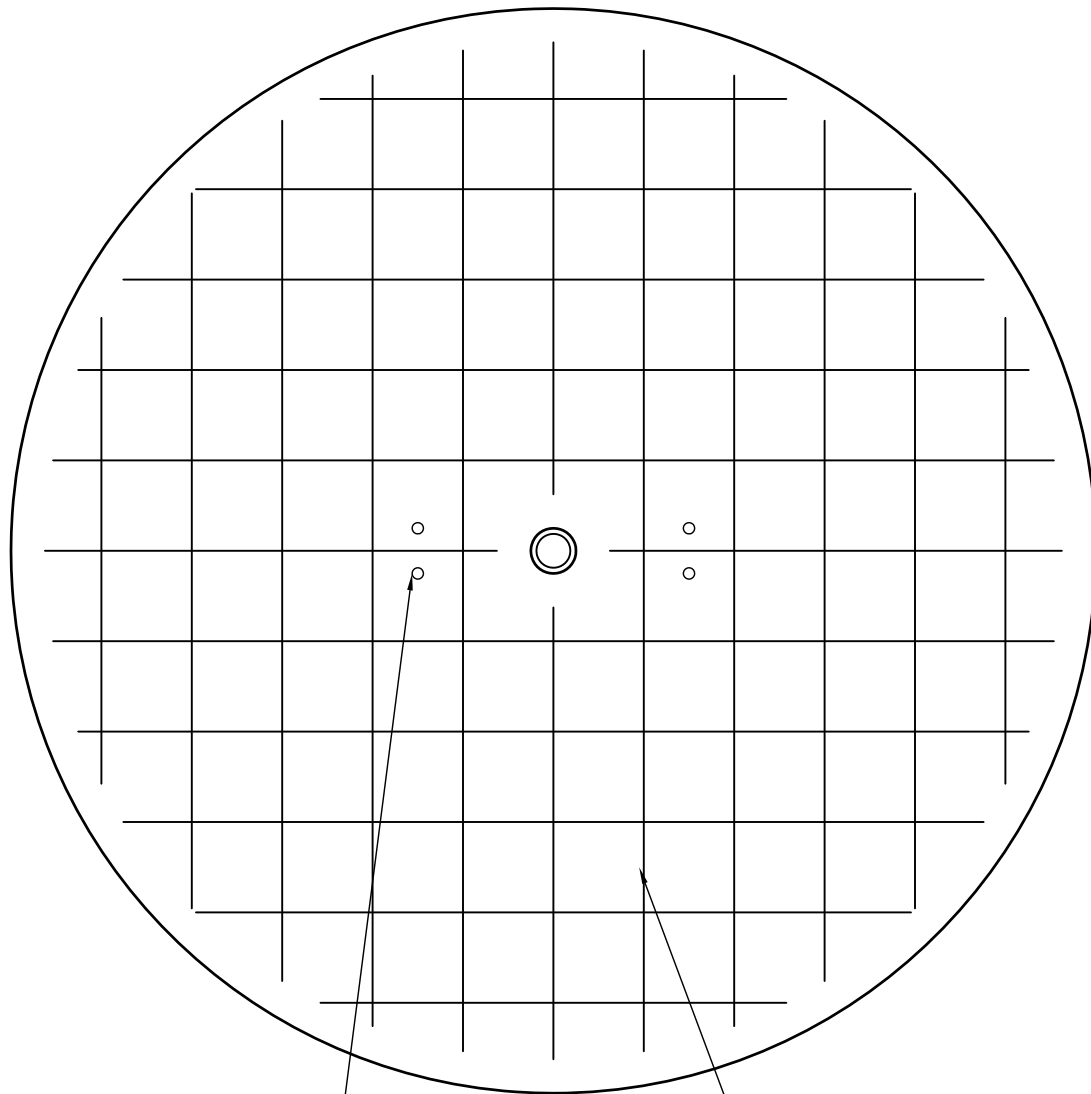
- 4000 f'c 28-DAY COMPRESSIVE STRENGTH
- 4-7% ENTRAINED AIR
- MILD STEEL REINFORCING AS REQUIRED
- POLYPROPYLENE FIBER SECONDARY REINFORCING
- FORMS**
- SMOOTH SURFACE FIBERGLASS
- COLORS**
- GREY OR INTEGRAL COLOR (COHILLS COLOR PIGMENTS AVAILABLE)
- STANDARD FINISH**
- SMOOTH TOPS
- EXPOSED AGGREGATE PEDESTAL
- COLORLED CONCRETE: COLOR SEAL TOPS
- CLEAR SEALER



CIMARRON  
TABLE & BENCH SET

TS-0048

ARCHITECTURAL PRECAST CONCRETE  
**MATERIALS, INC.**



4-1/2" THREADED  
INSERTS

4X4 WWF

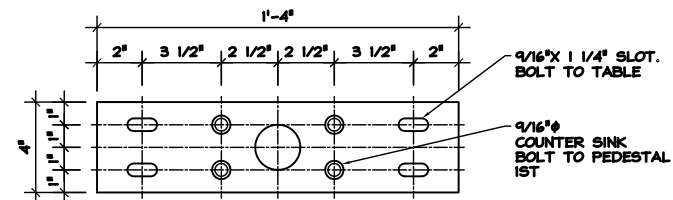
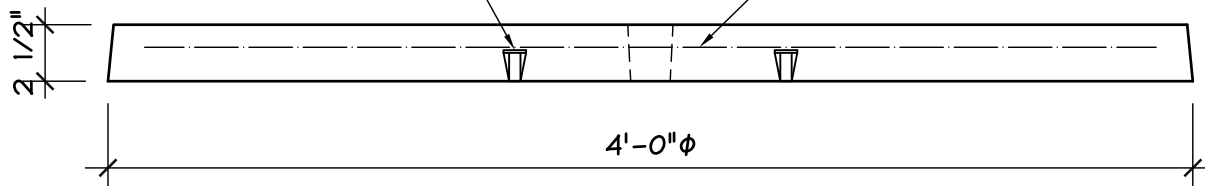


TABLE PLATE- PLAN

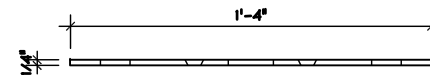


TABLE PLATE- ELEVATION

WEIGHT: 405#

**CONCRETE SPECIFICATIONS**

4000 f'c 28-DAY COMPRESSIVE STRENGTH  
4-7% ENTRAINED AIR  
MILD STEEL REINFORCING AS REQUIRED  
POLYPROPYLENE FIBER SECONDARY REINFORCING

**FORMS**

SMOOTH SURFACE FIBERGLASS

**COLORS**

GREY OR INTEGRAL COLOR (COHILLS COLOR  
PIGMENTS AVAILABLE)

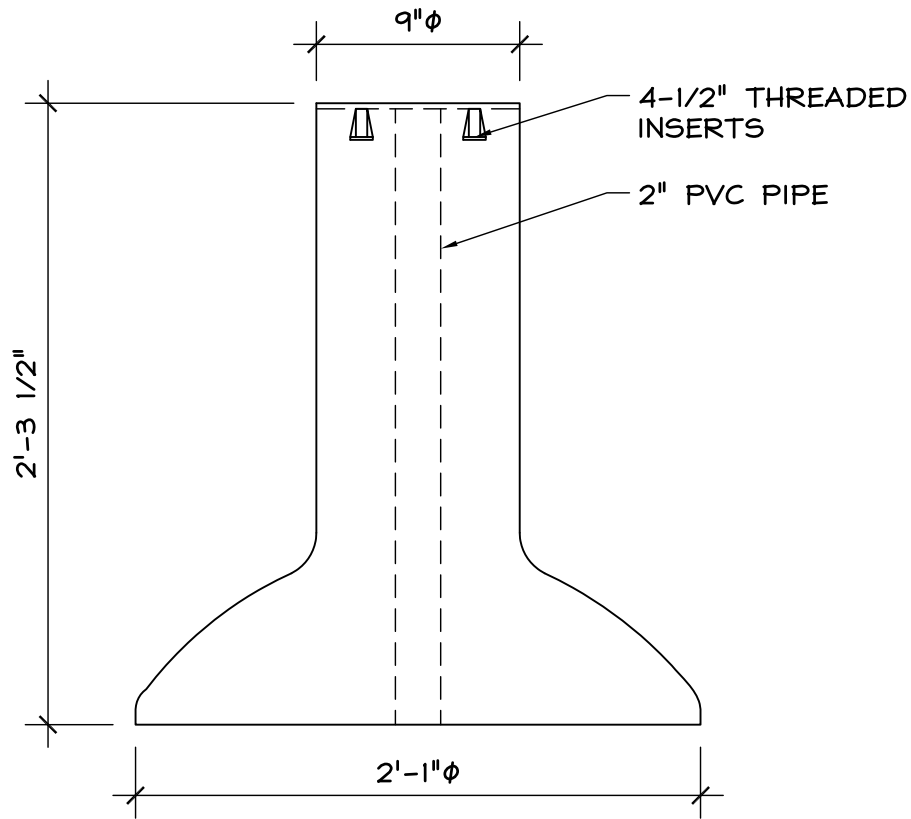
**STANDARD FINISH**

SMOOTH TOPS  
EXPOSED AGGREGATE PEDESTAL & LEGS  
COLORED CONCRETE: COLOR SEAL TOPS  
CLEAR SEALER

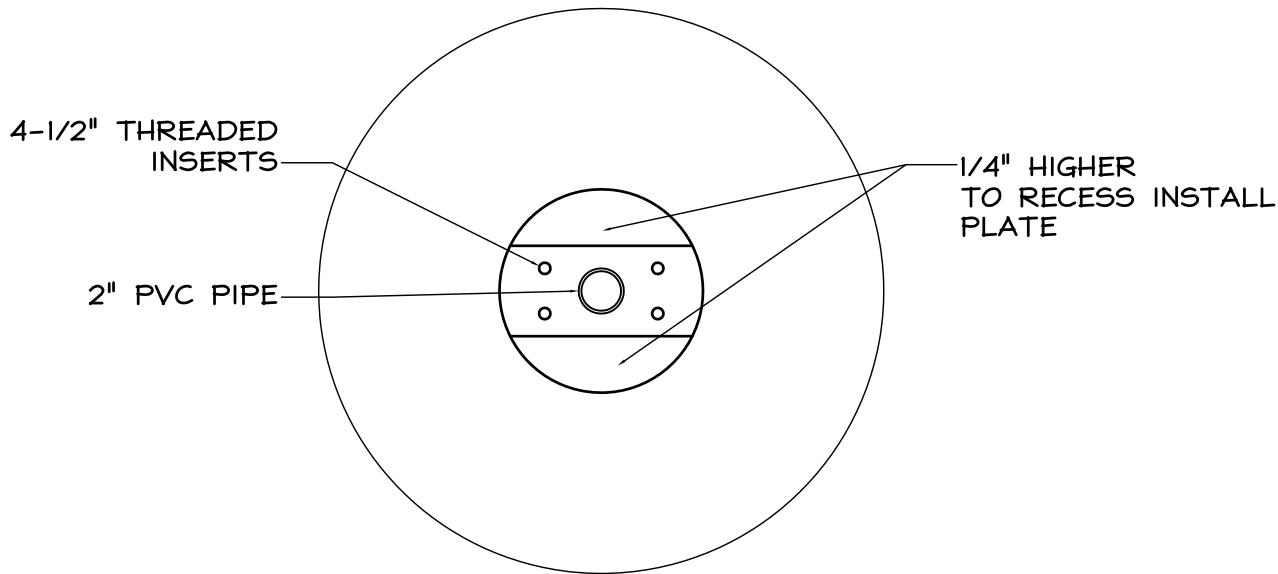
CIMARRON  
TABLE TOP

TS-0048

ARCHITECTURAL PRECAST CONCRETE  
**MATERIALS, INC.**



PEDESTAL ELEVATION



PEDESTAL PLAN

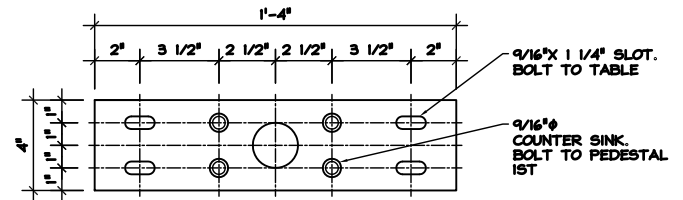


TABLE PLATE- PLAN

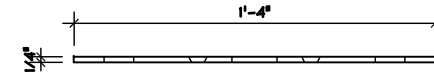
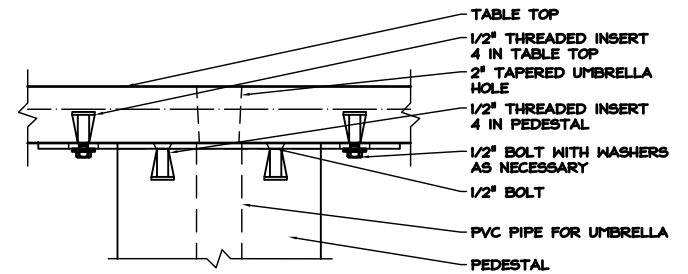


TABLE PLATE- ELEVATION



INSTALLATION DETAIL

WEIGHT: 235#

**CONCRETE SPECIFICATIONS**

4000 f'c 28-DAY COMPRESSIVE STRENGTH  
 4-7% ENTRAINED AIR  
 MILD STEEL REINFORCING AS REQUIRED  
 POLYPROPYLENE FIBER SECONDARY REINFORCING

**FORMS**

SMOOTH SURFACE FIBERGLASS

**COLORS**

GREY OR INTEGRAL COLOR (COHILLS COLOR PIGMENTS AVAILABLE)

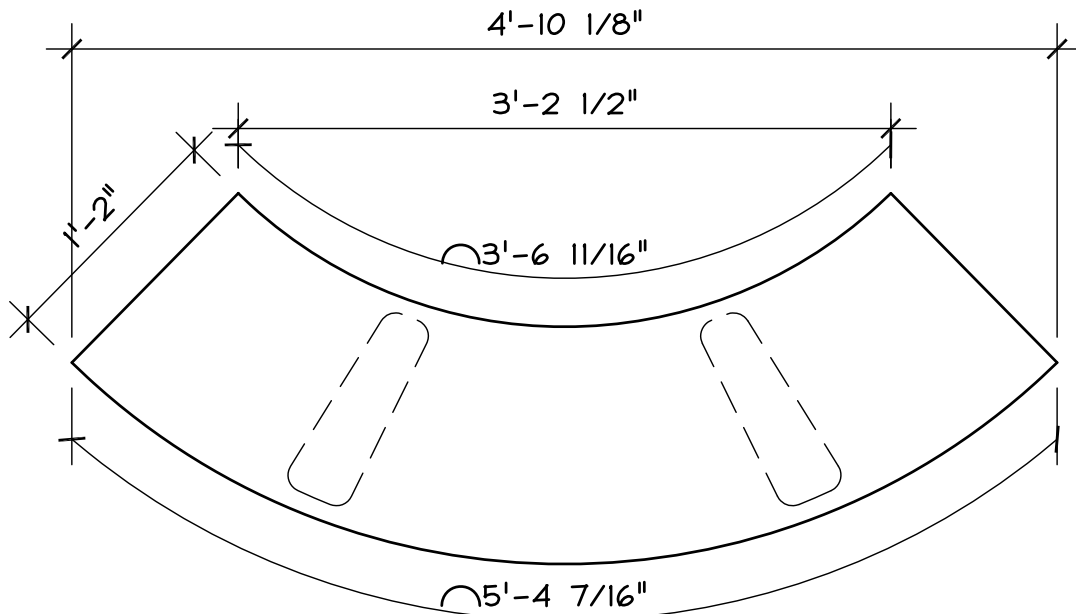
**STANDARD FINISH**

SMOOTH TOPS  
 EXPOSED AGGREGATE PEDESTAL & LEGS  
 COLORED CONCRETE: COLOR SEAL TOPS  
 CLEAR SEALER

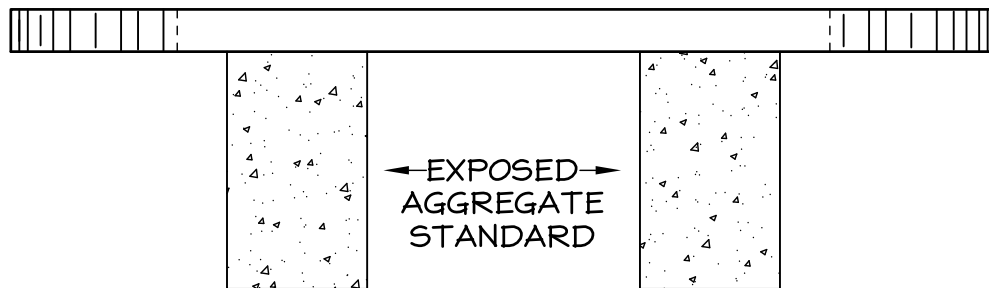
CIMARRON  
 TABLE PEDESTAL

TS-0048

ARCHITECTURAL PRECAST CONCRETE  
**MATERIALS, INC.**



PLAN



ELEVATION

WEIGHT: 260#  
3 BENCHES PER TABLE

CONCRETE SPECIFICATIONS

4000 f'c 28-DAY COMPRESSIVE STRENGTH  
4-7% ENTRAINED AIR  
MILD STEEL REINFORCING AS REQUIRED  
POLYPROPYLENE FIBER SECONDARY REINFORCING

FORMS

SMOOTH SURFACE FIBERGLASS

COLORS

GREY OR INTEGRAL COLOR (COHILLS COLOR PIGMENTS AVAILABLE)

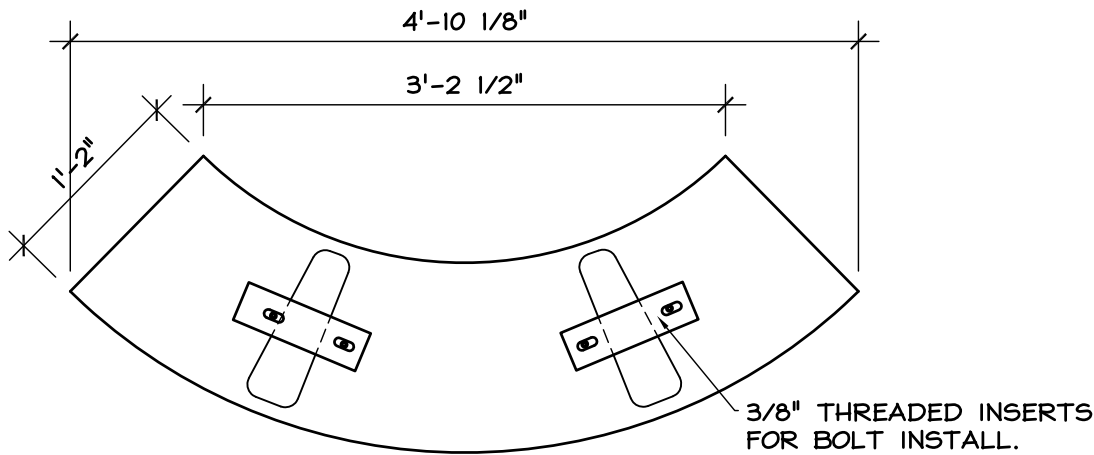
STANDARD FINISH

SMOOTH TOP  
EXPOSED AGGREGATE LEGS  
COLORED CONCRETE: COLOR SEAL TOP  
CLEAR SEALER

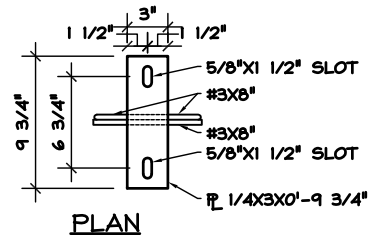
CIMARRON  
BENCH

TS-0048

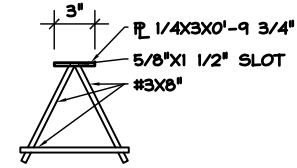
ARCHITECTURAL PRECAST CONCRETE  
**MATERIALS, INC.**



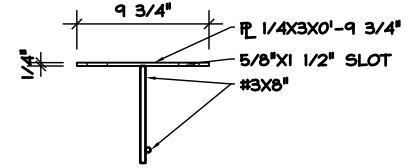
BOTTOM PLAN



PLAN

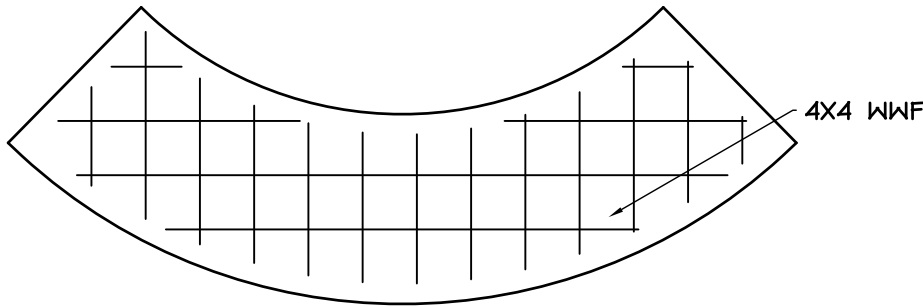


ELEVATION

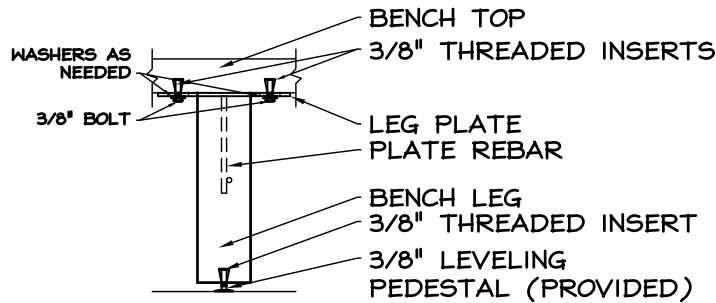


SIDE ELEVATION

LEG PLATE DETAIL



REINFORCING



LEG TO BENCH/LEVELING

WEIGHT: 260#

CONCRETE SPECIFICATIONS

4000 f'c 28-DAY COMPRESSIVE STRENGTH

4-7% ENTRAINED AIR MILD STEEL REINFORCING AS REQUIRED

POLY PROPYLENE FIBER SECONDARY REINFORCING

FORMS

SMOOTH SURFACE FIBERGLASS

COLORS

GREY OR INTEGRAL COLOR (COHILLS COLOR PIGMENTS AVAILABLE)

STANDARD FINISH

SMOOTH TOP  
EXPOSED AGGREGATE LEGS  
COLORED CONCRETE: COLOR SEAL TOP  
CLEAR SEALER

CIMARRON  
BENCH

TS-0048

ARCHITECTURAL PRECAST CONCRETE  
**MATERIALS, INC.**